



MASON UK LTD

Vibration Control Products
& Acoustic Floor Systems

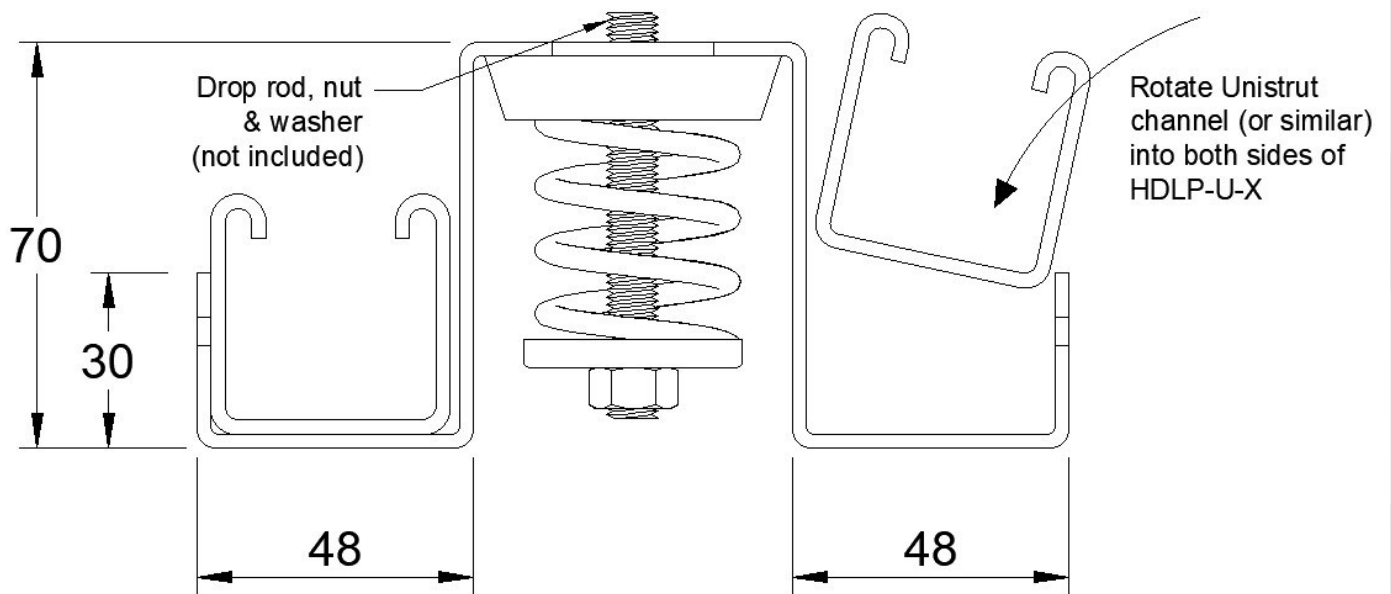
HDLP-U-X Unistrut Low Profile Ceiling Spring Hanger



- Allows for compact suspended ceiling installations.
- Allows for quick and easy installation of Unistrut (or similar) ceilings.
- The hangers can support ceiling weights of up to 95kg per hanger.
- The spring elements can provide up to 25mm deflection, providing natural frequencies down to 3.2Hz.
- The high quality spring element provides isolation against impact and low frequency noise, such as that from mechanical sources.
- The spring sits in a neoprene cup which absorbs high frequency energy.

Mason UK Ltd, Unit 6, Abbey Business Park, Monks Walk, Farnham, GU9 8HT
Tel: 01252 716610 **Email:** info@masonuk.co.uk **Web:** www.masonuk.co.uk

Product Information

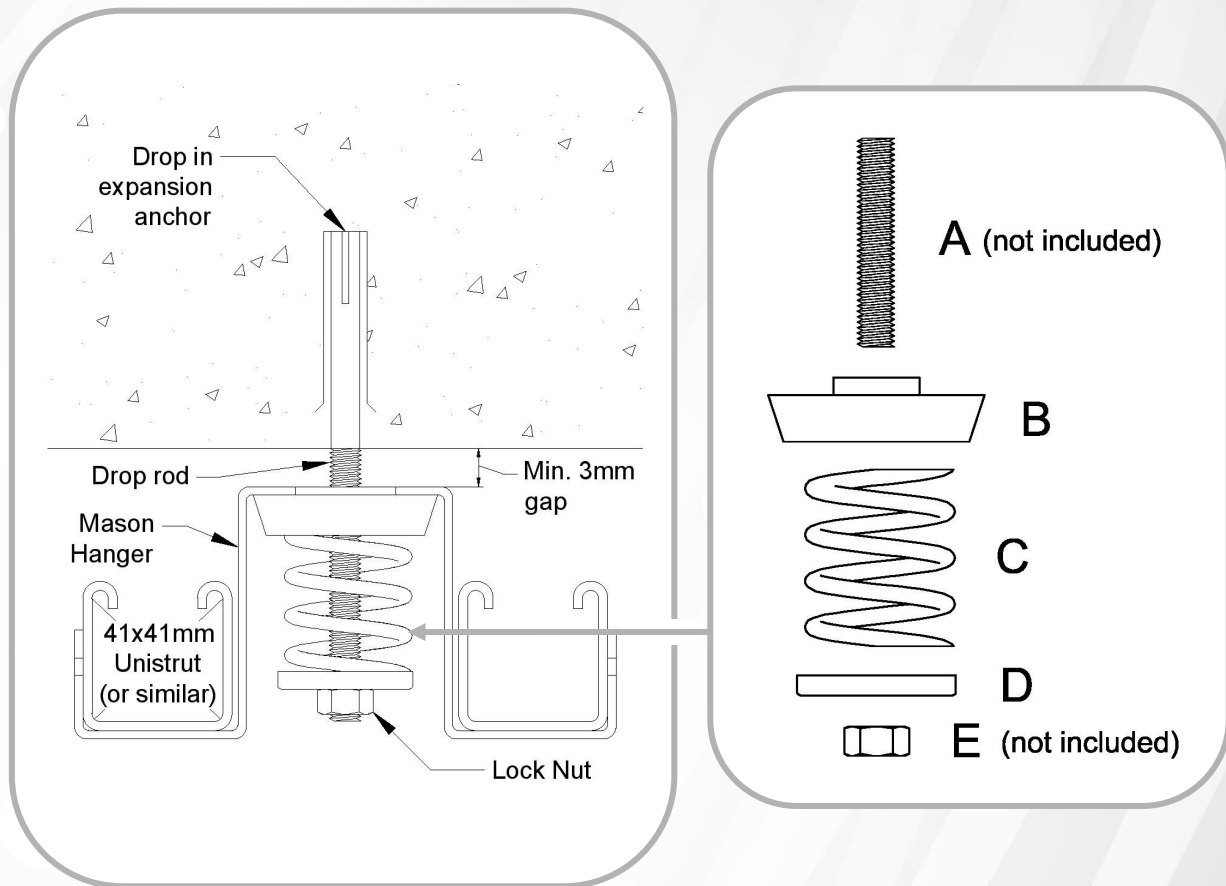


	Rated capacity (kg)	Rated deflection (mm)	Rated Natural Frequency (Hz)	Spring Colour
HDLP-U-X-23	10	33	2.8	Brown
HDLP-U-X-33	15	28	3.0	Red
HDLP-U-X-54	24	25	3.2	White
HDLP-U-X-76	34	25	3.2	Black
HDLP-U-X-113	51	25	3.2	Yellow
HDLP-U-X-130	59	25	3.2	Purple
HDLP-U-X-175	79	25	3.2	Silver
HDLP-U-X-210	95	25	3.2	Blue

NOTE

- Mason HDLP-U-X series spring hangers can compress up to 25mm at rated capacity.
- Please allow for the compression of the spring hanger when installing ceiling systems.
- If the rated deflection is not considered, sagging and or damage of the ceiling and surrounding areas may occur.
- Typical drop rod diameter of 10mm. Large penny washer required for smaller diameter rod.

Typical Installation Detail



A	-	Drop Rod (not supplied)
B	-	Rubber cup
C	-	Spring element
D	-	Metal cup
E	-	Self-locking nut (not supplied)

Installation Instructions:

- Fix the top of the drop rod to the soffit, bracket or ceiling joist as required.
- Assemble the hanger as above.
- If desired, pre-compress spring with large penny washer and nut on top by a maximum of 10mm.
- Set all the hangers to the same height by laser or similar method.
- Install the ceiling system in the normal way.