



MASON UK LTD

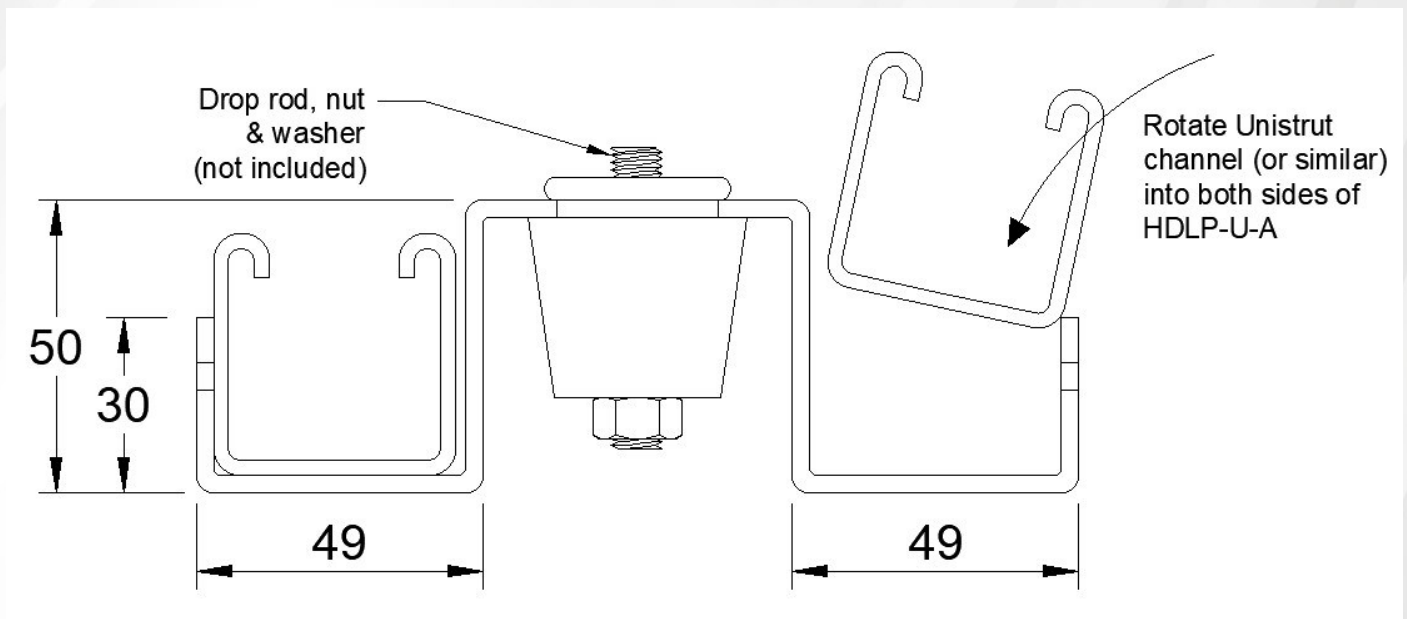
Vibration Control Products
& Acoustic Floor Systems

HDLP-U-A Unistrut Low Profile LDS Rubber Ceiling Hanger



- Allows for compact suspended ceiling installations.
- Allows for quick and easy installation of Unistrut (or similar) ceilings.
- The hangers can support ceiling weights of up to 57kg per hanger.
- The LDS (Low Dynamic Stiffness) rubber elements can provide up to 6mm deflection, providing natural frequencies down to 8Hz.
- The high quality LDS rubber element can be replaced with a variety of springs for isolation from impact and low frequency noise.

Product Information

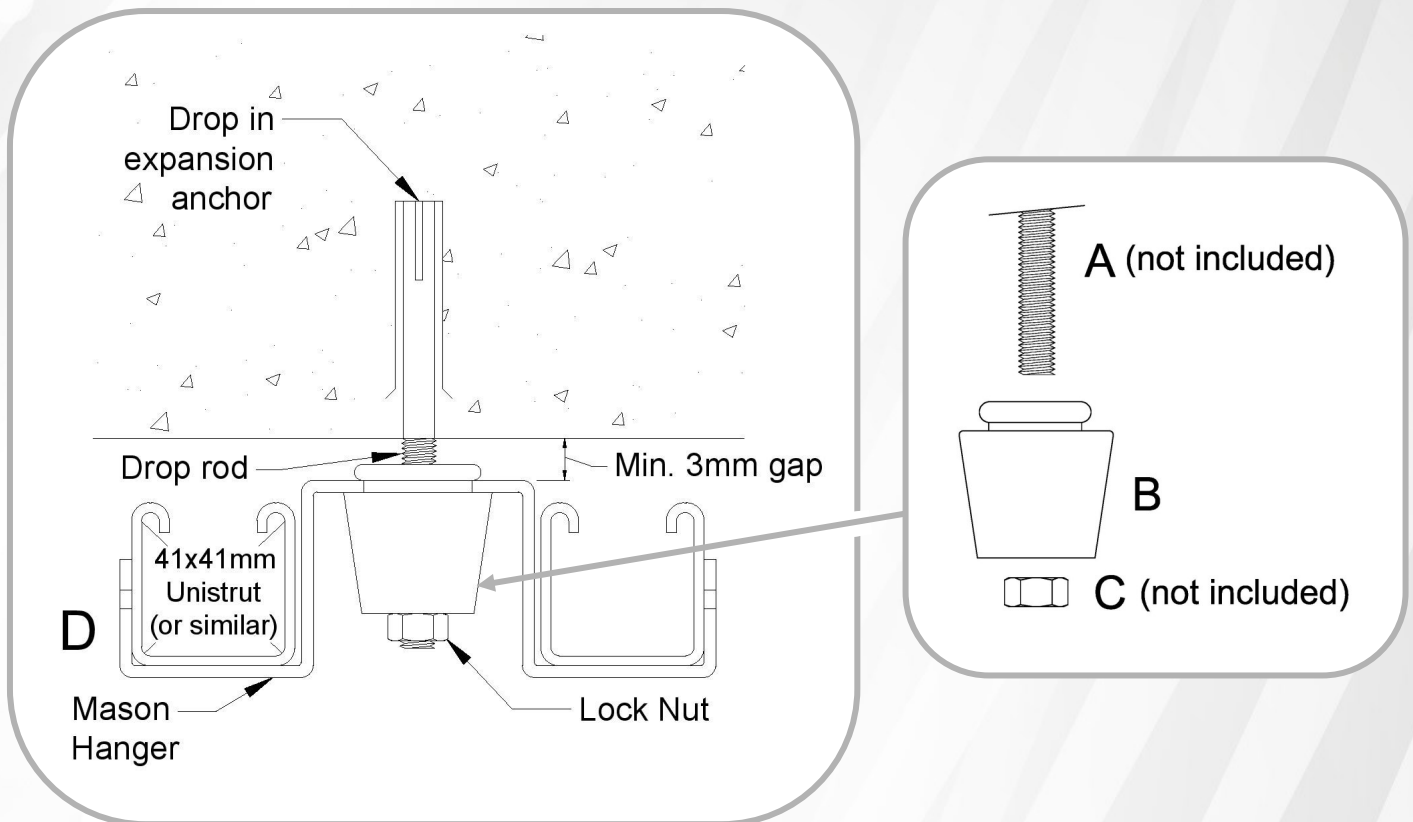


	Durometer	Max rated capacity (kg)	Max rated deflection (mm)	Rated Natural Frequency (Hz)
HDLP-U-A-Black	30	Up to 20	6	8
HDLP-U-A-Green	40	14-34	6	8
HDLP-U-A-Red	50	27-57	6	8
HDLP-U-X-Spring	Please call to discuss requirements			

NOTE

- Mason HDLP-U-A series LDS rubber hangers are designed to gain a deflection of approximately 6mm at rated capacity.
- Please allow for the rated deflection of the hanger when installing ceiling systems.
- If the rated deflection is not considered, sagging and or damage of the ceiling and surrounding areas may occur.
- Typical drop rod diameter of 10mm. Large penny washer required for smaller diameter rod.

Typical Installation Detail



- | | | |
|----------|---|---------------------------------|
| A | - | Drop rod (not supplied) |
| B | - | LDS Rubber element |
| C | - | Self-locking nut (not supplied) |
| D | - | Mason hanger box |

Installation Instructions:

- Fix the top of the drop rod to the soffit, bracket or ceiling joist as required.
- Assemble the hanger as above.
- Set all the hangers to the same height by laser or similar method.
- Install the ceiling system in the normal way.