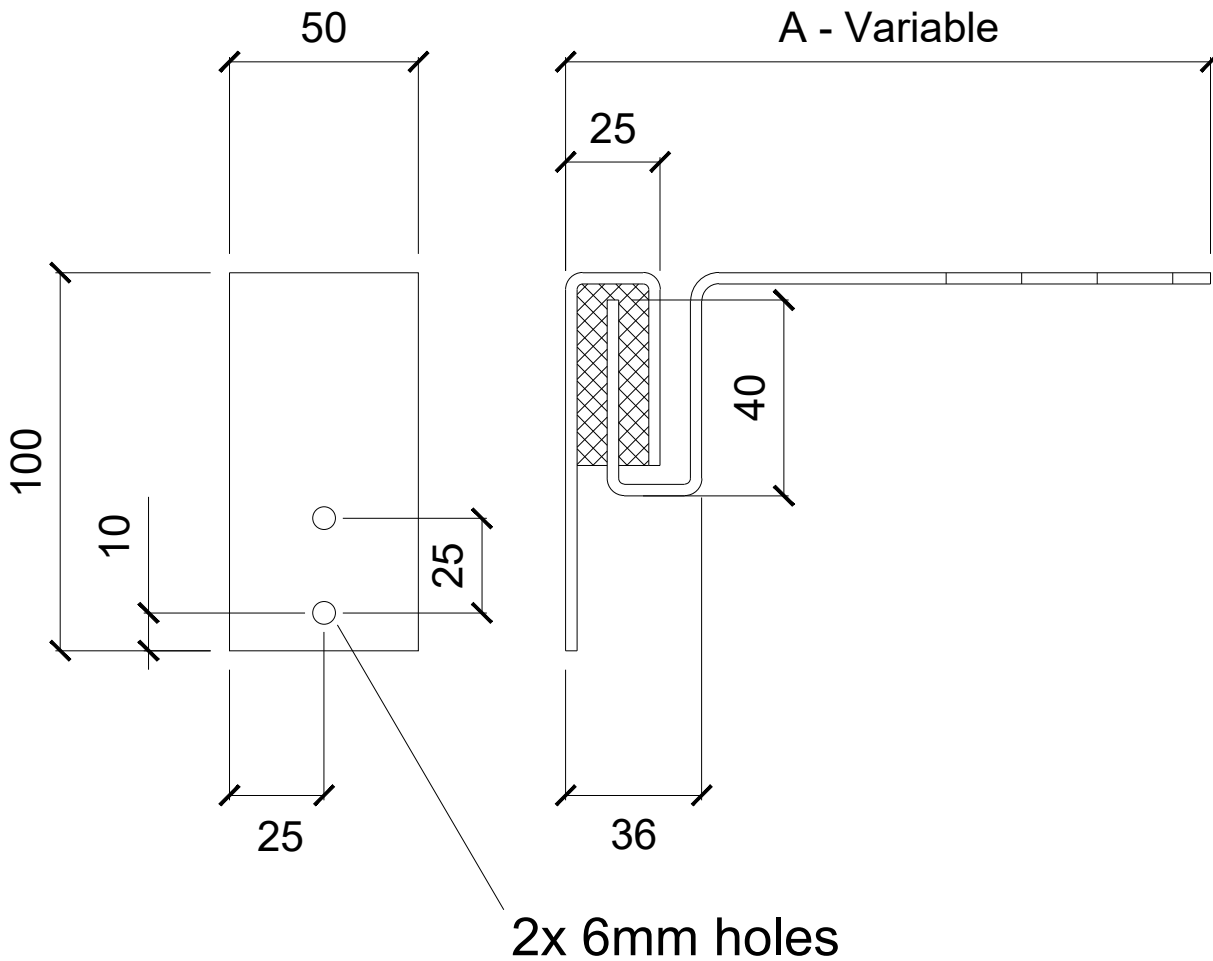
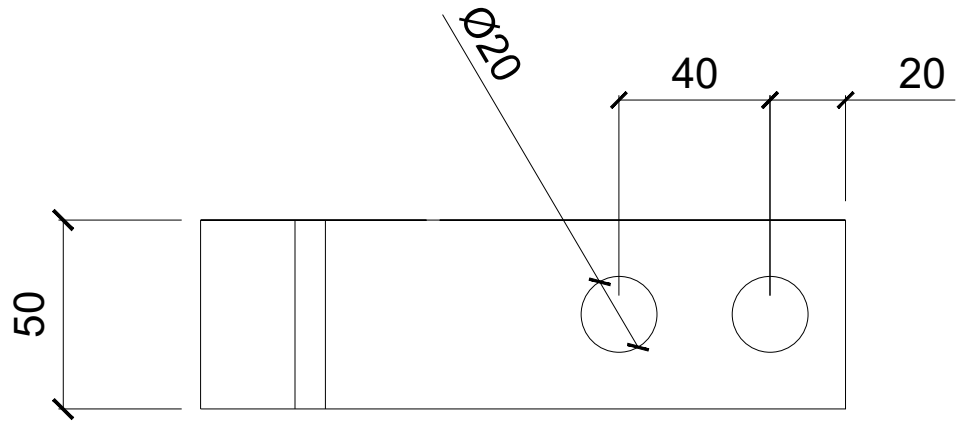




MASON UK Ltd.

TEL 01252-716610
FAX 01252-716630
6 ABBEY BUS. PARK, MONKS WALK
FARNHAM, SURREY. GU9 8HT



Notes:
Dimension "A" is varied to suit wall cavity.

Type WIC-2-90-Special
Acoustic wall brace
Comprised of Mason Waffle pad
and 3mm Pre Galvanised Steel