



MASON INDUSTRIES, Inc.

Manufacturers of Vibration Control Products

350 Rabro Drive
Hauppauge, NY 11788
631/348-0282
FAX 631/348-0279

2101 W. Crescent Ave., Suite D
Anaheim, CA 92801
714/535-2727
FAX 714/535-5738

Info@Mason-Ind.com • www.Mason-Ind.com

JOB NAME _____

CUSTOMER _____

CUSTOMER P.O. _____

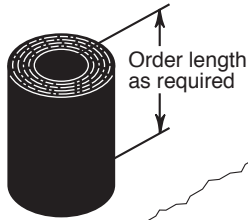
MASON M. _____

DWG No. _____

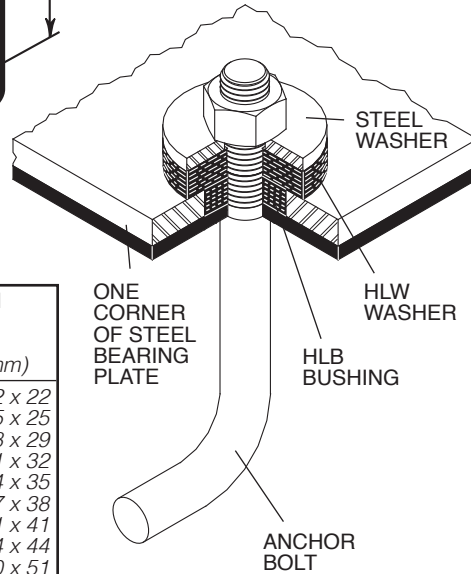
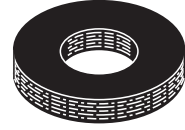
HLB & HLW

BUSHINGS &
WASHERS

HLB NEOPRENE IMPREGNATED DUCK BUSHINGS



HLW NEOPRENE IMPREGNATED DUCK WASHERS



HLB DIMENSIONS

Type	Nominal Size & Bolt Dia. (in) (mm)	Standard Bushing ID x OD* (in) (mm)	
HLB-	3/8 10	13/32 x 7/8	12 x 22
	1/2 13	17/32 x 1	15 x 25
	5/8 16	21/32 x 1 1/8	18 x 29
	3/4 19	25/32 x 1 1/4	21 x 32
	7/8 22	29/32 x 1 3/8	24 x 35
	1 25	11/32 x 1 1/2	27 x 38
	1 1/8 29	15/32 x 1 5/8	31 x 41
	1 1/4 32	19/32 x 1 3/4	34 x 44
	1 1/2 38	117/32 x 2	40 x 51
	1 3/4 44	125/32 x 2 1/4	46 x 57
	2 51	21/32 x 2 1/2	53 x 64

*Order length as required.
Maximum length is 19".

HLW DIMENSIONS AND RATINGS

Type	Nominal Size & Bolt Dia. (in) (mm)	Washer Size ID x OD (in) (mm)		Max. Load Ratings (psi)(kg/cm ²)
HLW-	3/8 10	7/16 x 1	11 x 25	1000 70
	1/2 13	9/16 x 1 3/8	14 x 35	
	5/8 16	1 1/16 x 1 3/4	17 x 44	
	3/4 19	1 3/16 x 2	21 x 51	
	7/8 22	1 5/16 x 2 1/4	24 x 57	
	1 25	1 11/16 x 2 1/2	27 x 64	
	1 1/8 29	1 1/4 x 2 3/4	32 x 70	
	1 1/4 32	1 3/8 x 3	35 x 76	
	1 1/2 38	1 5/8 x 3 1/2	41 x 89	
	1 3/4 44	1 7/8 x 4	48 x 102	
	2 51	2 1/8 x 4 1/2	54 x 114	

Custom sizes and thicknesses as needed.
Washers may be square.

SIZE	QTY.	TAG